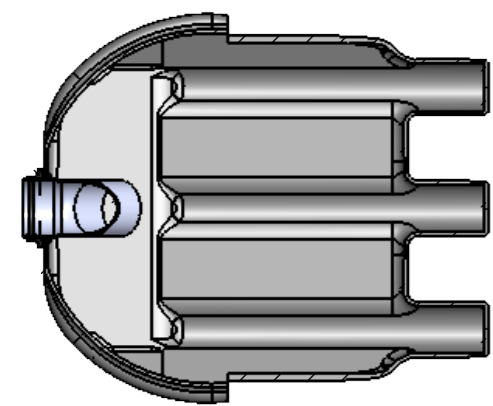
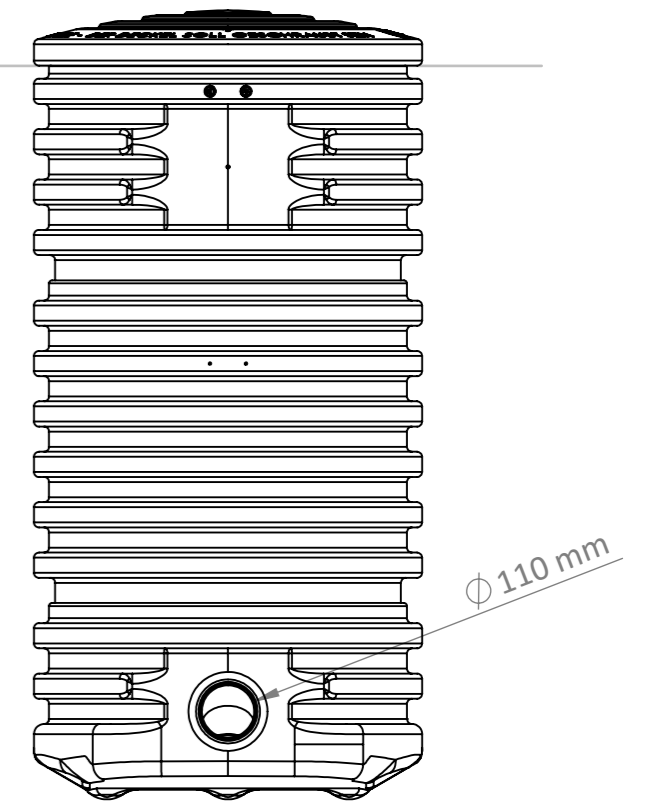
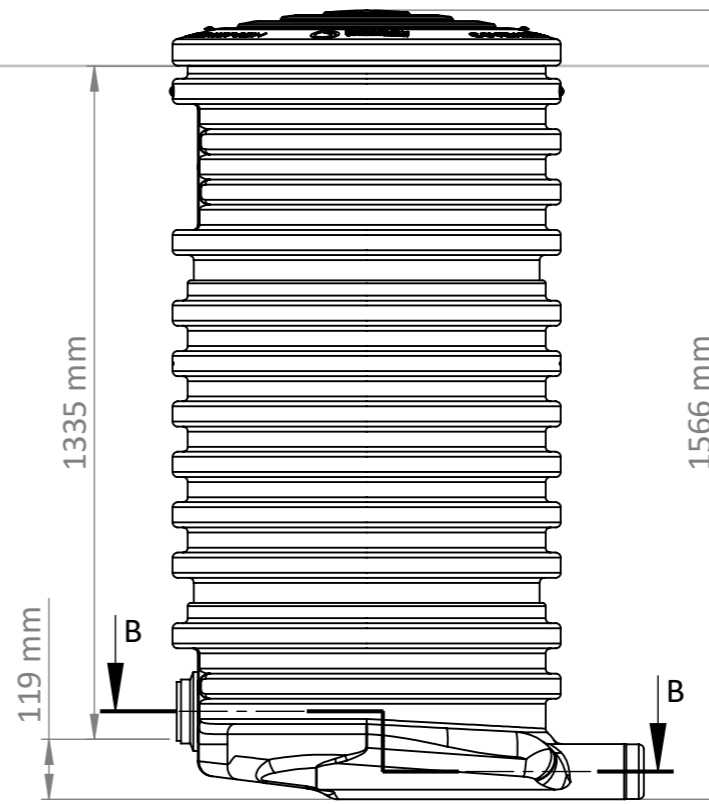
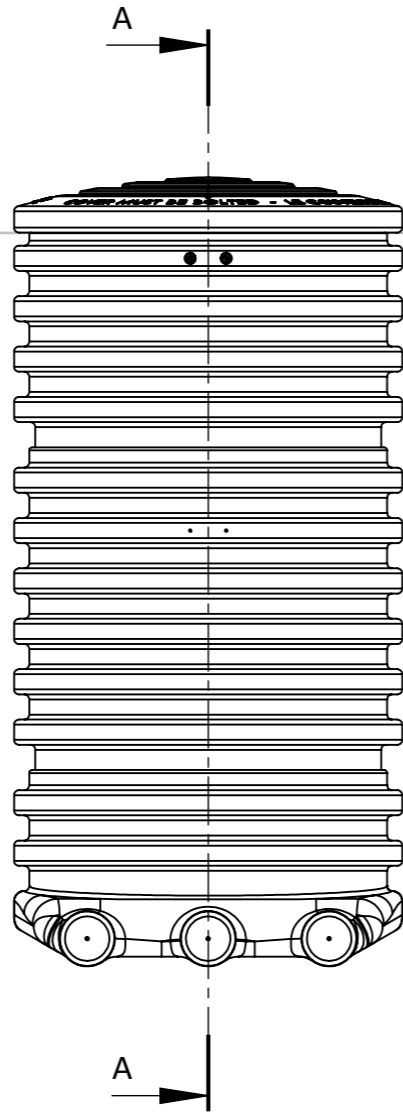
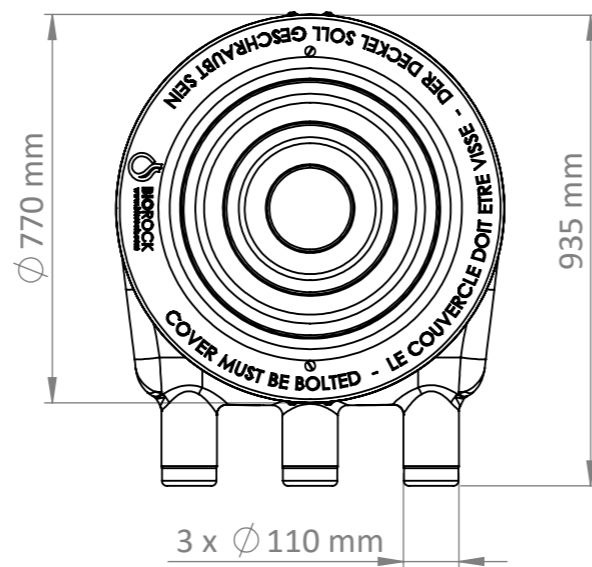



CROSS-SECTION A-A



CROSS-SECTION B-B



Service :				
ORIGINATOR				
	NAME	SIGNATURE	DATE	
AUTHOR	AQ		06/04/2016	
APPROV.				TITLE: <h2 style="text-align: center;">SPLITTER BOX</h2>
CHANGES				
	NAME	SIGNATURE	DATE	
AUTHOR				
APPROV.				Nb. of PLAN <div style="text-align: right;">A3</div>
CHANGES				
	NAME	SIGNATURE	DATE	
AUTHOR				
APPROV.				SCALE:1:15