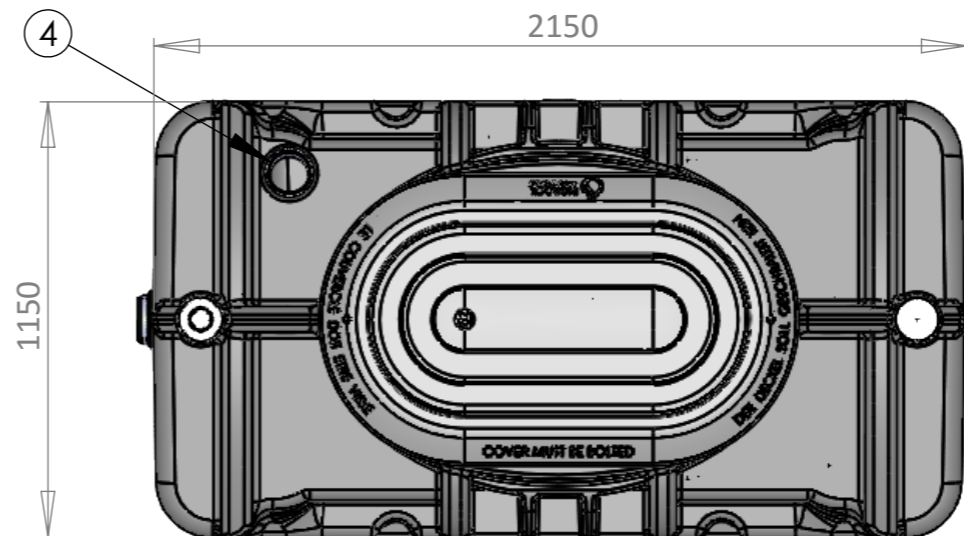
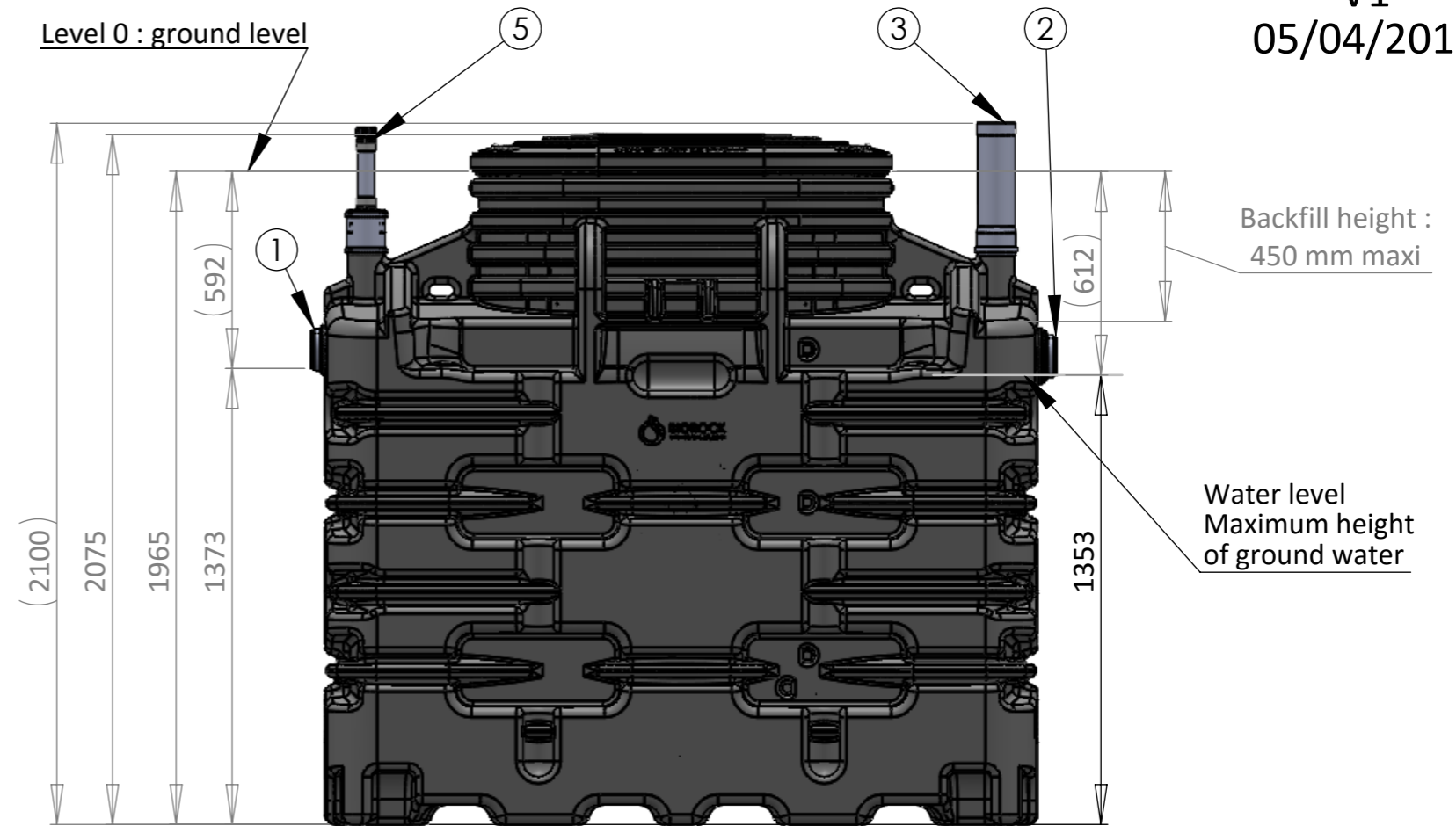


Primary tank

Volume 3000 L

V1
05/04/2016

1	Water inlet
2	Water outlet
3	Access to effluent filter
4	Air outlet
5	Rodding point



Characteristics	Value	Unit
Primary Tank (PT)		
Material	HDPE	
Tank volume	3000	Liters
Specification		
Overall length	2150	mm
Overall width	1150	mm
Total height of the tank	2075	mm
Overall height	2100	mm
Total weight (without water)	200	Kg
Pipe diameters	110	mm

This primary tank can be installed in high ground water table.

Overall tolerance : 3%

Service :

ORIGINATOR			
NAME	SIGNATURE	DATE	
AUTHOR: AQ		05/04/2016	
APPROV.			
CHANGES			
NAME	SIGNATURE	DATE	TITLE:
AUTHOR			
APPROV.			
CHANGES			
AUTHOR			Nb. of PLAN
APPROV.			FTE-X3000.2

SCALE:1:20

A3

